



Currently, our members have listed a number of automotive related items for sale. These can be seen at this link: www.thehamiltonchaptersdc.ca/Classifieds. This list is updated monthly. Items that you wish to list can be sent to Peter Downey, email: PresidentHamiltonSDC@gmail.com

VEHICLES FOR SALE

1959 Lark Regal 2 DR HT Asking \$13,995 US



VERY RARE COLOUR COMBINATION (TAHITI CORAL WITH ARCTIC WHITE TOP).

PURCHASED FROM ORIGINAL, ONE OWNER FAMILY. LADY DRIVEN APPROX. 25,000 ORIGINAL MILES IN VICTORIA BRITISH COLUMBIA.

259 CID V8 AUTOMATIC,

RUST FREE,

DELUXE CLOTH INTERIOR, SHOWING VIRTUALLY NO WEAR.

PARKED INSIDE GARAGE FOR 40+ YEARS.

ALL HYDRAULICS SERVICED, HEAD GASKETS AND VALVE SEALS REPLACED. NEW HEATER CORE. TIRES.

RUNS SUPERBLY WELL.

BILL OZZARD 250-276-4421 BSOZZARD@GMAIL.COM



Currently, our members have listed a number of automotive related items for sale. These can be seen at this link: www.thehamiltonchaptersdc.ca/Classifieds. This list is updated monthly. Items that you wish to list can be sent to Peter Downey, email: PresidentHamiltonSDC@gmail.com

PARTS FOR SALE

- Two front fenders for a 49 Studebaker
 - Email: Dan Calder
dan.calder@icloud.com
 - **Phone: 905-984-0268.** Fenders are very straight solid
 - Asking: \$500
- Other fender looks to be NOS

For sale for 289 Studebaker engine, correct complete Avanti stainless steel dual exhaust system includes glass packed mufflers. \$1,000 Cdn.
Contact dougsommerville@hotmail.com or call 519 632-7703

Wanted

Good radiator for GT hawk .

Call 905. 938-5533 or
Email at jkoshty@gmail.com

4 1964 Style full wheel covers \$50
Stromberg 2 barrel carb (Could stand a rebuild) and manifold to fit a V8 truck \$40
1 front V8 brake drum (smooth) \$25
1960 259 V8 engine on stand. Came in my 60 convert. Good running engine with good compression. Does not smoke but uses oil on a long run. Likely rings. Asking \$250 and I will give you back \$50 when you return the stand.
Pair of driver quality Avanti front bumper ends \$400
Avanti hood hinge left side \$50

Bob Easton 905 734 3404

Parts For Sale

I have 27 bins of parts that the late Roland Lusted had as he restored a lot of Studebakers. They are listed on an excel spreadsheet. Anything listed in red is sold. These parts are located in Canada near the US border and must be picked up here.

Contact information is:

Susan Lusted
201 Livingston Ave.
Grimsby, ON L3M 4X2
[905-945-0027](tel:905-945-0027)

Email: studenews@outlook.com

Link to the complete List:

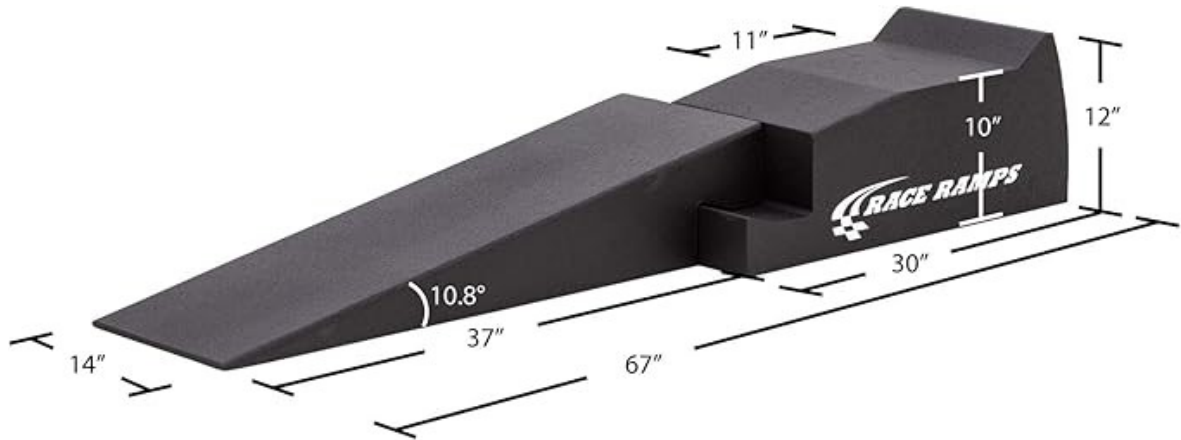
[thehamiltonchaptersdc.ca/Lusted Parts Inventor-May6-2024.pdf](http://thehamiltonchaptersdc.ca/Lusted%20Parts%20Inventor-May6-2024.pdf)

For sale:

Set of Ramps that come apart. See picture: [905-945-0027](tel:905-945-0027)

Email: studenews@outlook.com

List for \$627 asking \$200 for the pair. Used for low cars such as Corvettes.



SAWHORSES:

Available in sets of four for \$10 per set.

They are put together with two by 4's

